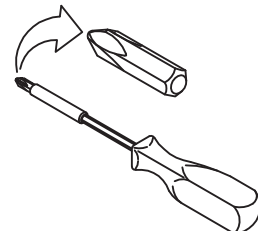
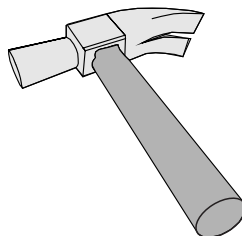
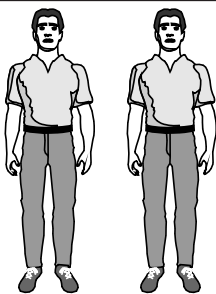
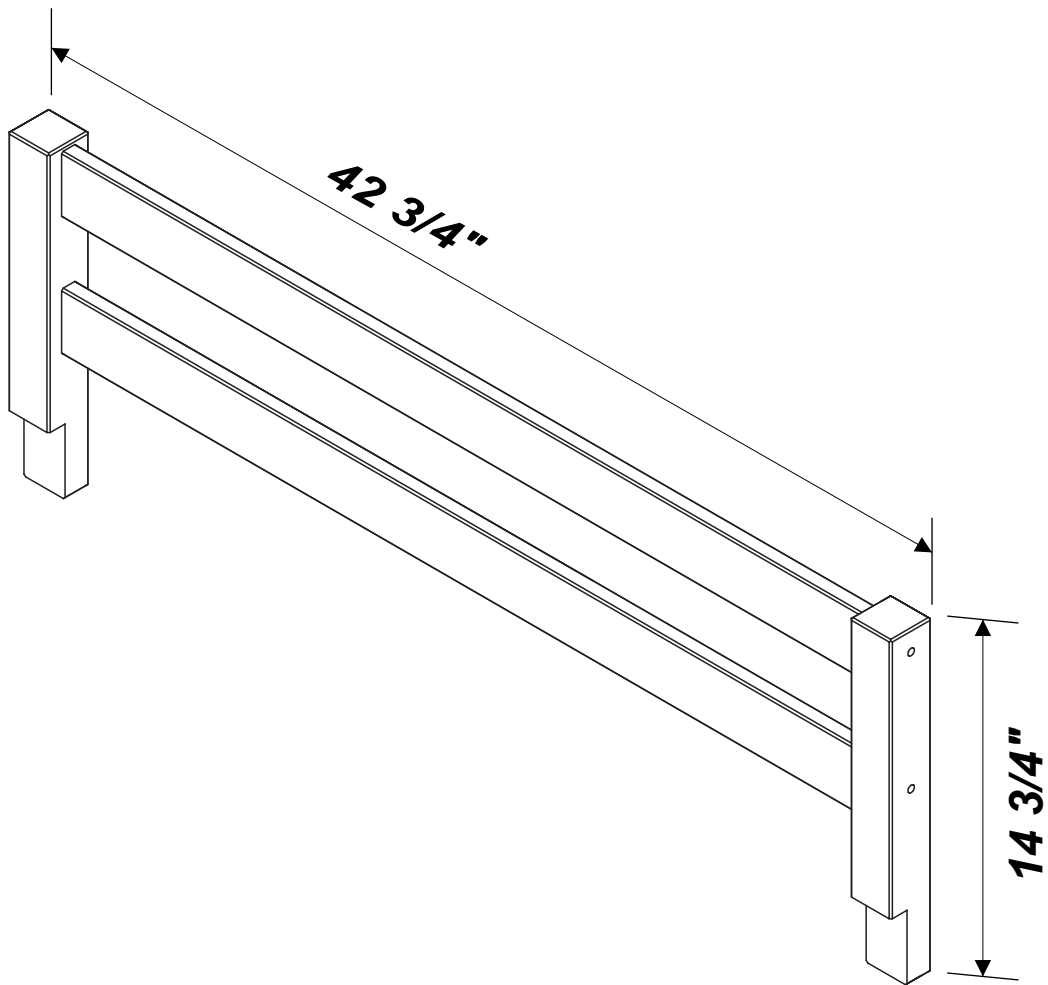


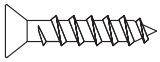
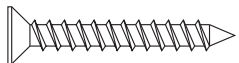
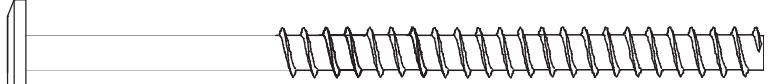

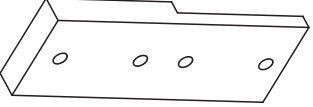

# ASSEMBLY INSTRUCTIONS

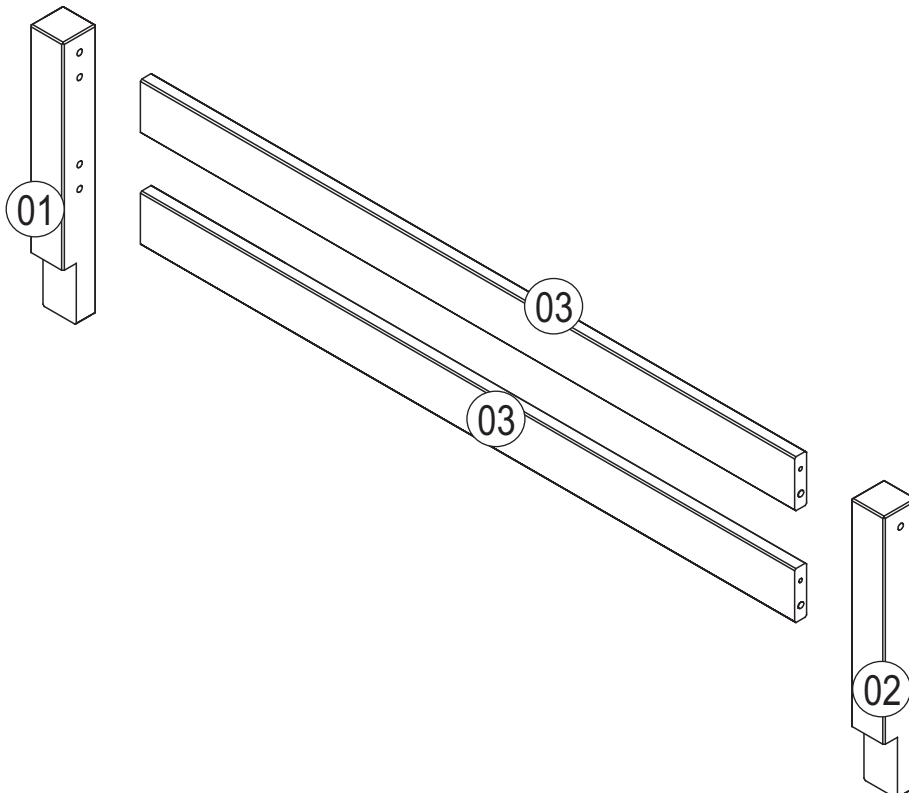
## RAIL GUARD

SKU 1002 - Mahogany  
SKU 1004 - Honey Pine  
SKU 1006 - Java

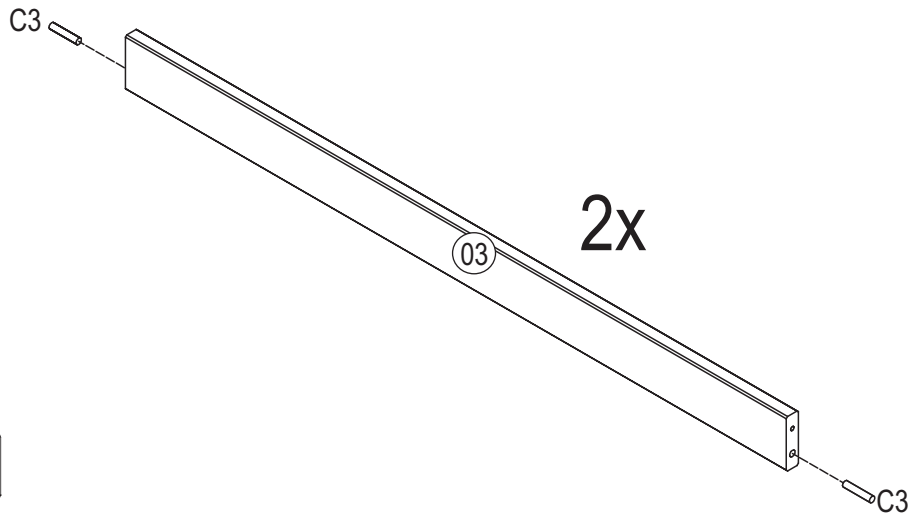


HARDWARE IS SHOWN IN ACTUAL SIZE

A17	 4,0x20	04
A19	 4,0x30	04
B1	 7,0x100	04
C3	 10x40	04
D5		02
G3		01



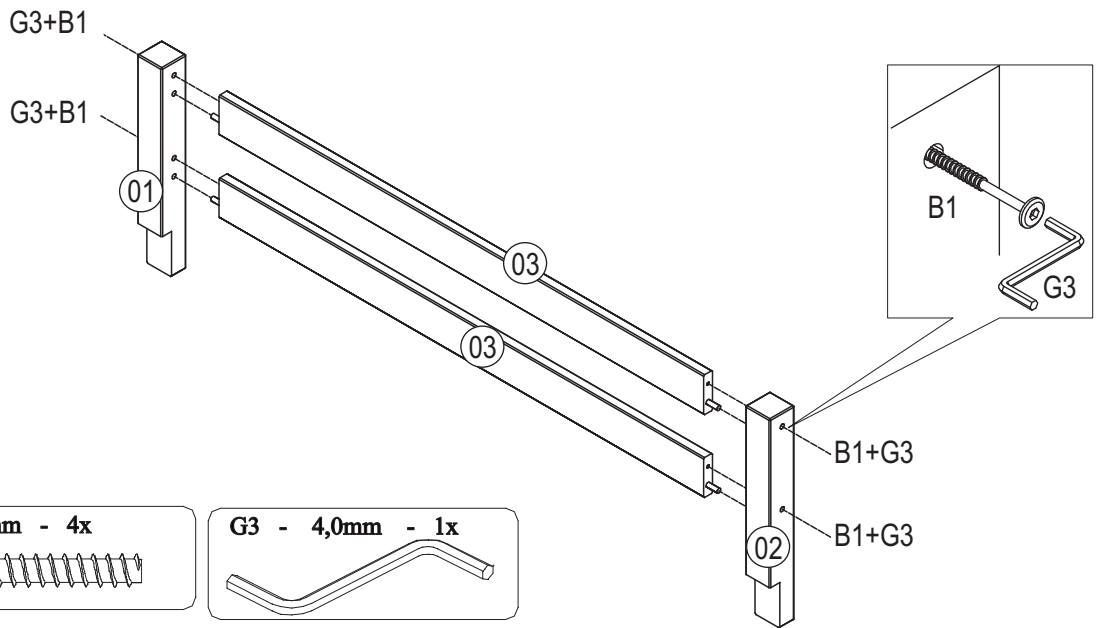
01)



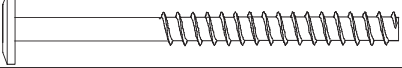
C3 - 10 x 40mm - 4x



02)



B1 - 7,0 x 100mm - 4x



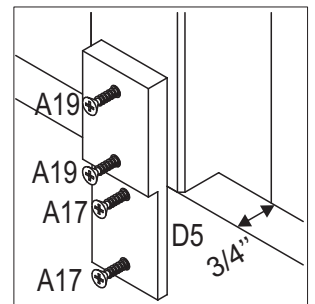
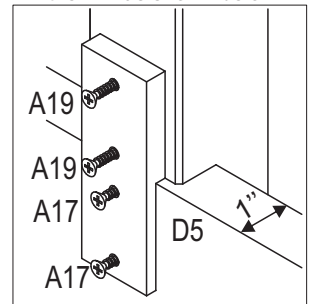
G3 - 4,0mm - 1x



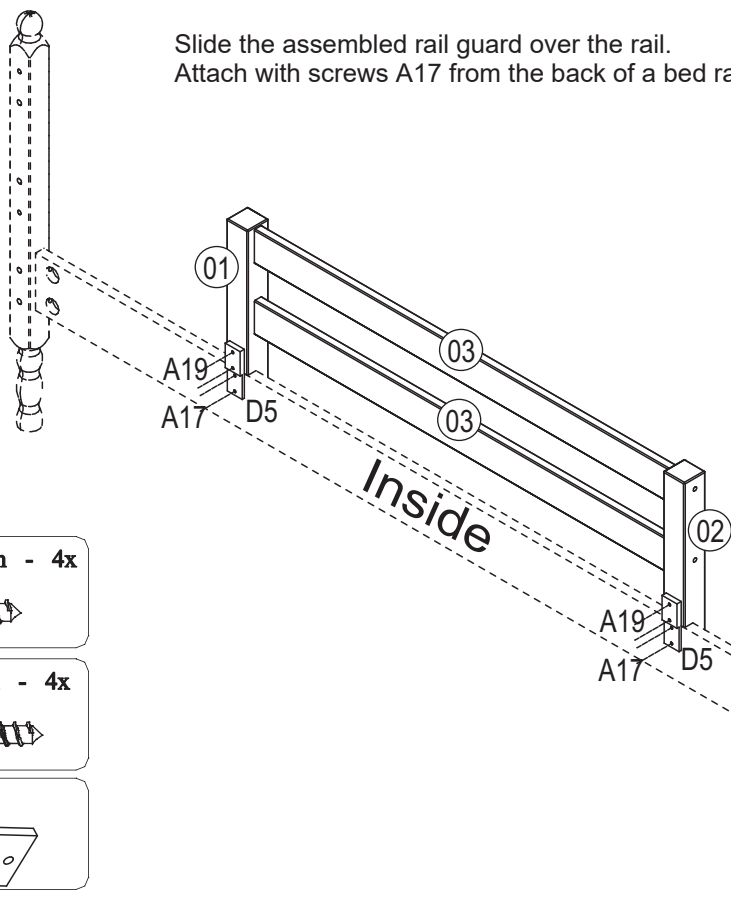
03)

Slide the assembled rail guard over the rail.  
Attach with screws A17 from the back of a bed rail

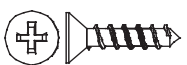
If rails are 1" thick, attach the ties as shown below



If rails are 3/4" thick, attach the ties as shown above



A17 - 4,0 x 20mm - 4x



A19 - 4,0 x 30mm - 4x



D5 - 2x

